

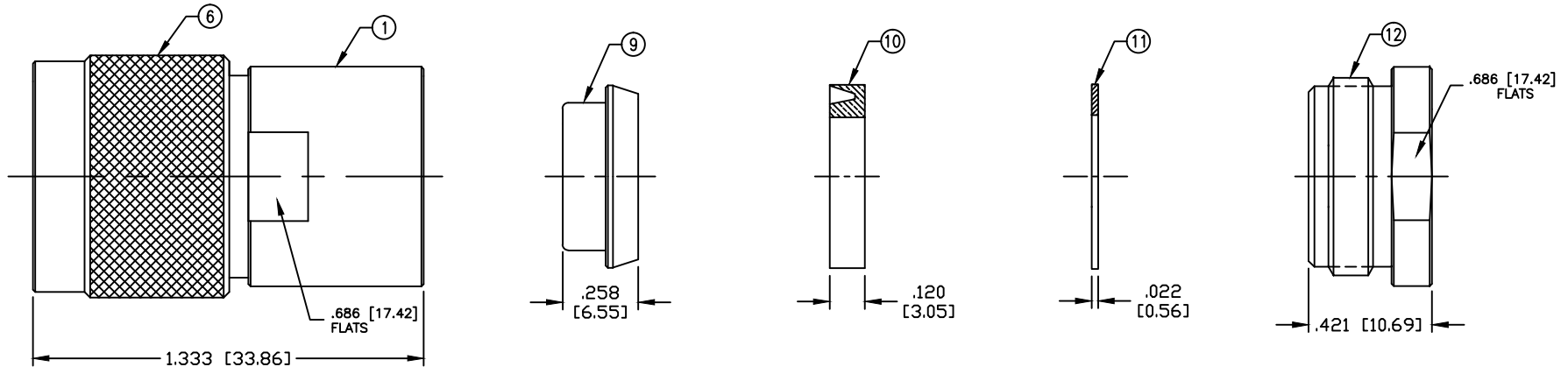
THIS DRAWING CONTAINS INFORMATION PROPRIETARY TO RF INDUSTRIES,  
 ANY UNAUTHORIZED USE OF THIS DRAWING IS EXPRESSLY PROHIBITED  
 WITHOUT WRITTEN PERMISSION FROM RF INDUSTRIES.  
 ANY VIOLATION IS PUNISHABLE UNDER U.S. COPYRIGHT LAWS.

ALL DIMENSIONS ARE REFERENCE ONLY

PART NO.

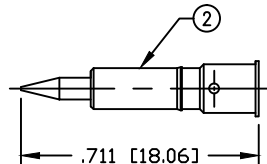
**RFN-1002-1SI**

REV	DESCRIPTION	DWN	DATE	APPROVED
E	CREATE SHELL AN BODY SECTION VIEW / CHG MISC DIMS	KMM	2/21/96	R. RICE
F	STANDARDIZE SHELL / CHG BODY & DIE DIMS & STRIP INST	CZS	7/28/99	R. RICE
G	CHANGE FORMAT, SPECS & DWG # 8002	GGG	3/1/02	JDMc
H	ADDED SOLDER ONLY NOTE & UPDATED SPECS	CZS	8/8/06	JDMc

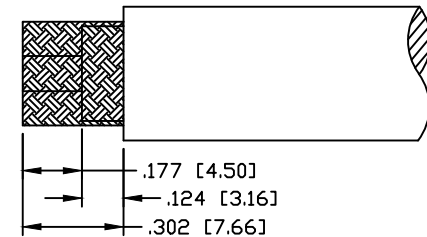


SPECIFICATIONS:

IMPEDANCE: 50 Ohms  
 FREQUENCY RANGE: 0-11 GHz  
 VSWR: 1.3:1 @ 9 GHz  
 INSERTION LOSS: .06 dB Max. X  $\sqrt{f\text{GHz}}$   
 WORKING VOLTAGE: 1k V rms @ sea level  
 TEMPERATURE RANGE: -65°C TO 85°C  
 INSULATION RESISTANCE: 5k M Ohms min.  
 FOR BELDEN 8214, 9913, 9913F, 9914, RG-8/U TYPE,  
 CAROL C1180, TIMES AA-5886 & LMR-400 CABLE



RECOMMENDED CRIMP DIE: .118" or .128"  
 "SOLDER ONLY" FOR RG-8/U TYPE CABLE



RECOMMENDED STRIPPING STRUCTIONS

1	BODY	1	BRASS	SILVER, 80μ"
2	PIN	1	BRASS	GOLD, 3μ"
3	DIELECTRIC	1	PTFE	---
4	GROUND RING	1	BRASS	SILVER, 80μ"
5	GASKET	1	RUBBER	---
6	RETAINING RING	1	SK-5	---
7	SHELL	1	BRASS	SILVER, 80μ"
8	PRESS FIT WASHER	1	BRASS	SILVER, 80μ"
9	CLAMP	1	BRASS	SILVER, 80μ"
10	GASKET	1	RUBBER	---
11	WASHER	1	BRASS	SILVER, 80μ"
12	BACK NUT	1	BRASS	SILVER, 80μ"
13				
14				

000486						
DRAWN C. ZUNIGA	8/8/06					
CHECKED						
ORJ DRAWN C. JONES	3/20/92					
#	DESCRIPTION	QTY	MATRL	FINISH	APPROVALS	DATE

UNLESS OTHERWISE SPECIFIED:

DIMENSIONS ARE IN INCHES  
 AND [MILLIMETERS]  
 UNLESS OTHERWISE NOTED  
 TOLERANCES ARE:  
 DECIMALS | DIAMETER

**RFconnectors**  
 DIVISION OF RF INDUSTRIES, LTD.

7610 MIRAMAR RD  
 SAN DIEGO, CA 92126  
 (858) 549-6340  
 (858) 549-6345 FAX

**N PLUG, CLAMP**

SIZE A	CABLE GROUP I	DWG NO. <b>RFN-1002-1SI</b>	REV H
SCALE: NTS	CAD FILE	OUTLINE	SHEET 1 OF 1